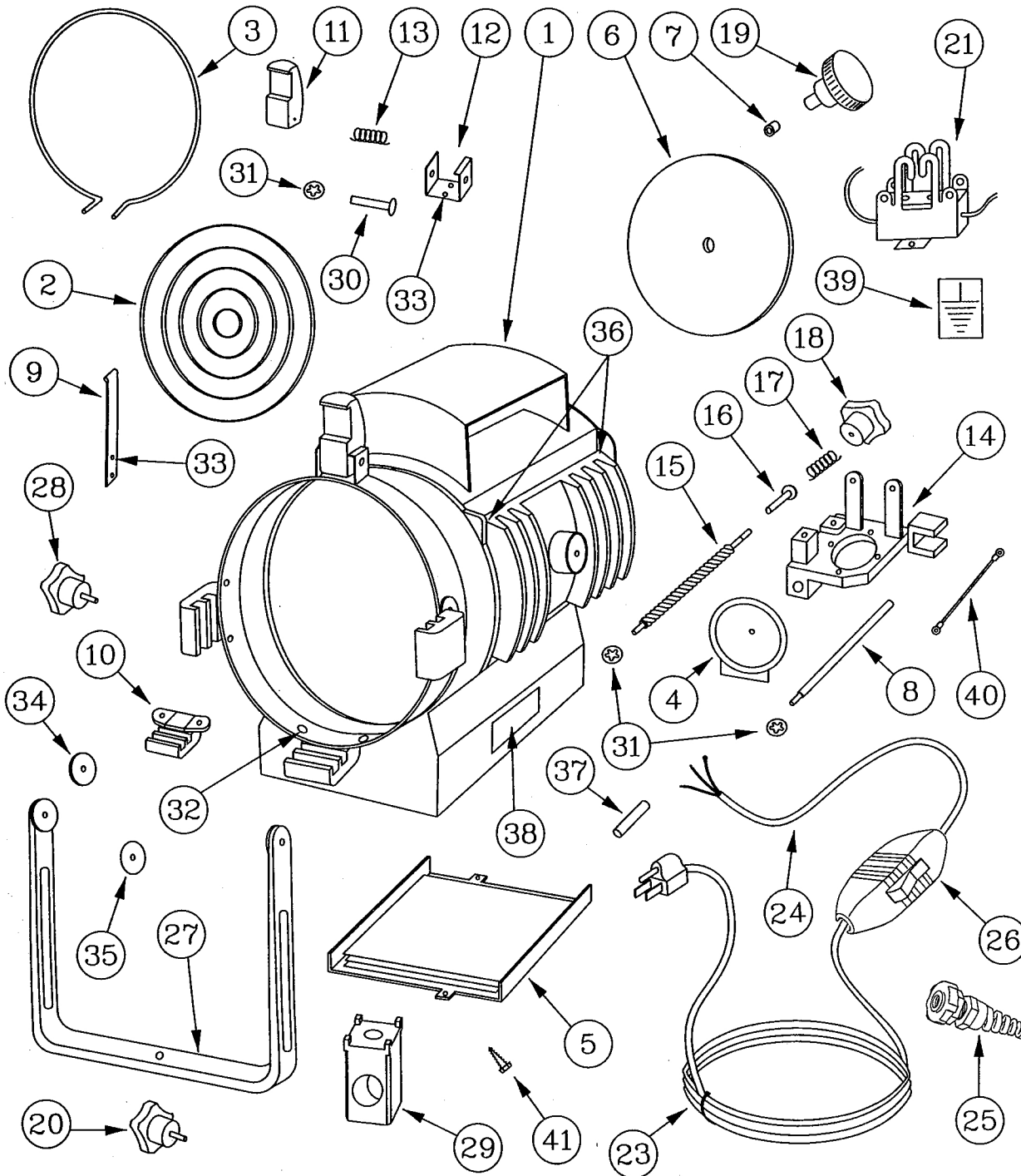


LTM CORPORATION OF AMERICA

PEPPER 650 REF. 154H



REP	REF. CODE	QTY	DESIGNATION
1	S1126 01	1	HOUSING
2	602 316	1	FRESNEL LENS ϕ 112
3	S1126 02	1	RETAINING RING
4	S1126 16	1	REFLECTOR
5	S11 26 03	1	BOTTOM PLATE
6	S11 26 04	1	BACK PLATE
7	S 932	1	BLOCKING PIECE
8	S11 26 08	1	GUIDE ROD
9	S11 26 05	1	CLOSING SPRING, LID
10	S 1126 07	3	FILTER BRACKET, FIXED
11	S 1126 10	1	FILTER BRACKET, HINGED
12	S 1126 11	1	FILTER BRACKET SUPPORT, HINGED
13	S 226 03	1	SPRING, FILTER BRACKET, HINGED
14	S 1126 12	1	CHARRIOT
15	S11 26 06	1	ADJUSTING SCREW
16	S11 26 13	1	BLOCKING PIECE, ADJUSTING SCREW
17	S 977	1	SPRING, ADJUSTING SCREW
18	602 276	1	FOCUS KNOB
19	602 278	1	BACK KNOB
20	602 245	1	STAND YOKE FOOT KNOB
21	606 439	1	SOCKET
23	606 655	1	CABLE WITH MOLDED PLUG
24	605129C	1	17" SILICON CABLE TO SWITCH
25	3240	1	STRAIN RELIEF BUSHING
26	5410	1	SWITCH LEVITON
27	S11 26 15	1	YOKE
28	602 261	2	YOKE KNOB
29	S 393	1	YOKE FOOT
30	918030	1	FILTER HOLDER AXEL
31	MISC	3	STAR LOCK NUT ϕ 3
32	MISC	6	POP RIVET GMAD34A
33	MISC	4	POP RIVET GMAD32A
34	580 4362	2	FRICTION SPRING WASHER
35	S11 24 13	2	FRICTION DISK
36	904 673	2	HINGE PIN, LID
37	900005	2	CRIMP SPLICE
38	154H101	2	PEPPER 650 LABEL
39	S338	1	GROUND LABEL
40	S1243	1	GROUND STRAP
41	MISC	1	#3 PHILLIPS HEAD SHEET METAL SCREW